

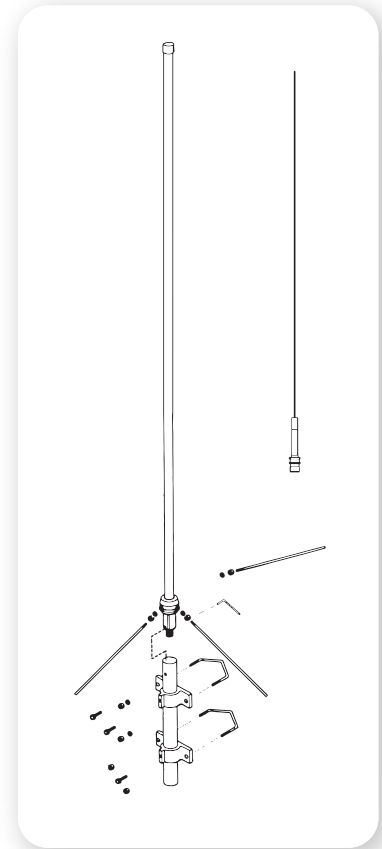
# LT-ANTL134-184-4.5

Vertical Fiberglass Base Antenna | 134-184 MHz | 4.5 dBd

## Specifications

LT-ANTL134-184-4.5	
Antenna Gain	4.5 dBd
VSWR	less than 1.5:1
Frequency Range	134-184 MHz (VHF Band) (by antenna element cut-tuning)
Polarization	Vertical
Impedance	50 $\Omega$
Power Capacity	200 W

LT-ANTL134-184-4.5	
Connector	SO-239
Omnidirectional	5/8 $\lambda$
Length	1.75 meter
Weight	About 1.0 Kg
Max. Wind	130 mph (55m/sec)



## Adjustments

LT-ANTL134-184-4.5 works well on any frequency between 134-184 MHz by radiator element cut-tuning. Please refer to the drawing on the rear side of this instruction sheet.

First, unfasten the locking screw on the metal antenna base (part #3) of LT-ANTL134-184-4.5. Pull the SO-239 connector out and slide the radiator element off the outer tube carefully. Cut the radiator element to proper length according to the cutting chart. Slide the radiator back into the outer tube and push SO-239 to proper position and fasten the locking screw with a wrench (part #10).

Now you can follow below " Assembly step 1 to step 4 " to install LT-ANTL134-184-4.5.

## Assembly

1. Refer to the drawing (page 2).
2. Put the locking nut and washer onto the ground plane radials, then screw the three radials(part #2) into the threaded holes on the metal antenna base (part #3) and tighten them by fingers. Secure the radials by tightening locking nuts with wrench.
3. Secure the supporting pipe (part #7) to the mounting pole (not included) in desired location using brackets (part #9), U-bolts (part #8), locking screws (part #4), locking washers (part #5), and locking nuts(part #6) supplied. Tighten them securely with a wrench or screw driver.
4. Run up the cable from radio through support pipe (part #7) and screw PL-259 on cable end tightly onto SO-239 connector at the bottom of antenna. Assemble the antenna into support pipe with open threaded hole turned so that it will align with hole on support pipe for locking screw. Screw the locking screw (part #4) into the hole and tighten it securely with wrench or screw driver .

## Cutting Chart

Frequency (MHz)	Length	
	inch	cm
134	64-1/8	163
136	63	160
141	60-1/4	153
146	57-7/8	147
151	55-1/2	141
156	53-3/4	136.5
160	51-15/16	132
165	50	127
170	48-7/16	123
174	47-1/4	120
179	45-5/8	116
180	44-1/2	113

## Parts

No.	Description	Qty.
1	Outer tube	1
2	Radials with nut, spring washer	3
3	Mast	1
4	Locking screw	3
5	Locking washer	4
6	Nut	4
7	Support pipe	1
8	U-Bolt	2
9	Bracket	2
10	Wrench	1

