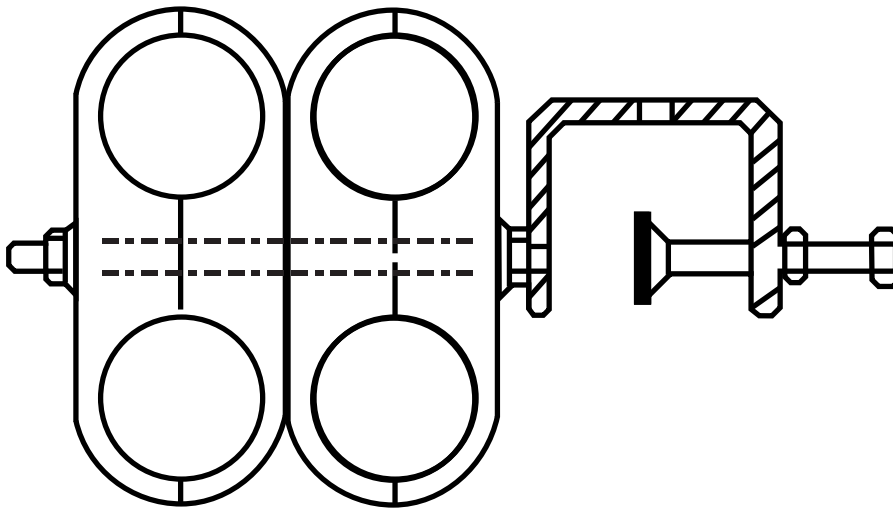


**1/2" RF Cable  
(50 Ohm)**

## **LT-CBL-CLM-4-1/2L**

**CABLE CLAMP FOR 1/2"  
RF CABLE (50 OHM)  
- THROUGH TYPE**



### **SPECIFICATIONS**

<b>PART NUMBER</b>		<b>LT-CBL-CLM-4-1/2L</b>
<b>Description</b>		Cable Clamp for 1/2" RF Cable (50 Ohm)-Through Type
<b>Cable Type</b>		1/2" RF Cable (50 Ohm)
<b>Cable Number</b>		4
<b>Diameter</b>		13.50mm
<b>Plastic Material</b>		Modified PP
<b>Metal Material</b>		Stainless steel
<b>Mechanical Performance</b>	Axial Load Capability	≥5 times cable weight
	Salt Spray	48 hours
	Crushing Force	350 N
<b>RoHS</b>		Yes