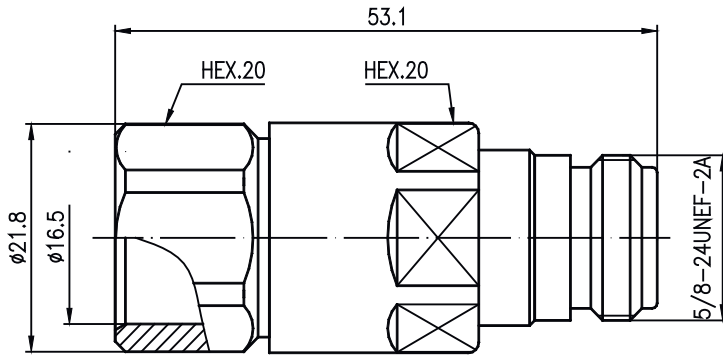


LT-NF-1/2L

N-Female Connector for 1/2" Cable



Specifications

LT-NF-1/2L		
Characteristic Impedance	Ω	50
Cut-Off Frequency	GHz	≤ 18
Shielding Efficiency	dB	≥ 115
Inner Conductor Contact Resistance	m Ω	≤ 0.8
Outer Conductor Contact Resistance	m Ω	≤ 0.25
IM3	dBc	≤ -155
Insertion Loss	dB	≤ 0.10
Insulation Resistance	m Ω	≥ 5000
Dielectric Strength	V	2500
VSWR	0.8 - 1.0 GHz	≤ 1.08
	1.7 - 2.5 GHz	≤ 1.10
Inner Conductor Pin		Brass / Silver Plating
Inner Conductor Socket		Tin Bronze / Silver Plating
Insulator		PTFE
Body & Outer Conductor		Brass / Trimetal Plating
Gasket		Silicon Rubber
Working Temperature Range	$^{\circ}\text{C}$	-65 ~ +165
Storage Temperature Range	$^{\circ}\text{C}$	-65 ~ +165