

INTEGRATION

IP I/O Cards

Input, Relay, Serial

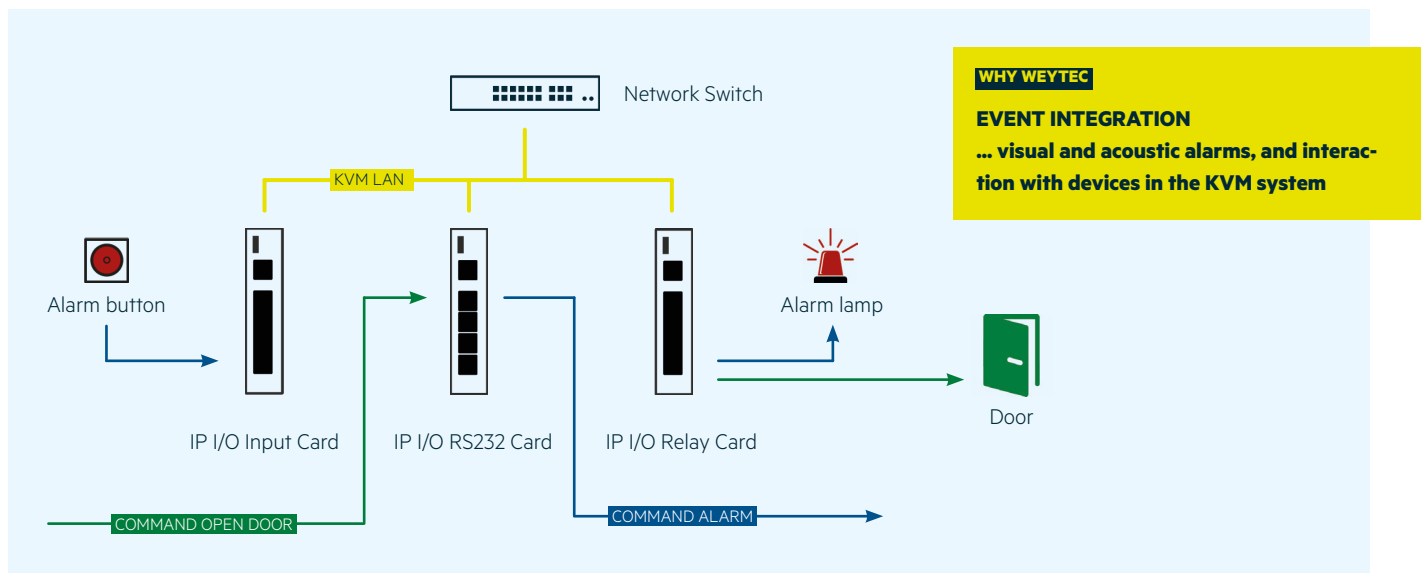


The WEYTEC IP Input / Output (IP I/O) cards receive, distribute and forward events within a WEYTEC KVM matrix system. IP I/O cards provide interfaces between WEYTEC IP devices and third party peripherals. In combination with a smartTOUCH keyboard or a WDP system, IP I/O cards detect incoming events and trigger outgoing events, interacting with visualization solutions, communication and radio systems, building management technology and more.

- Four switchable relays (IP I/O Relay card)
- Four optocouplers (Input card)
- Four serial interfaces (RS232 card)
- Compatible and integrated with WEYTEC products and solutions

Application example: IP I/O Cards for Input and Output Events

In the example below, an alarm button connected to the input card triggers an alarm command on one port of the serial card, which in turn switches on a lamp via the relay card. Simultaneously, an incoming "open door" command on the serial card activates a door opener via the relay card.



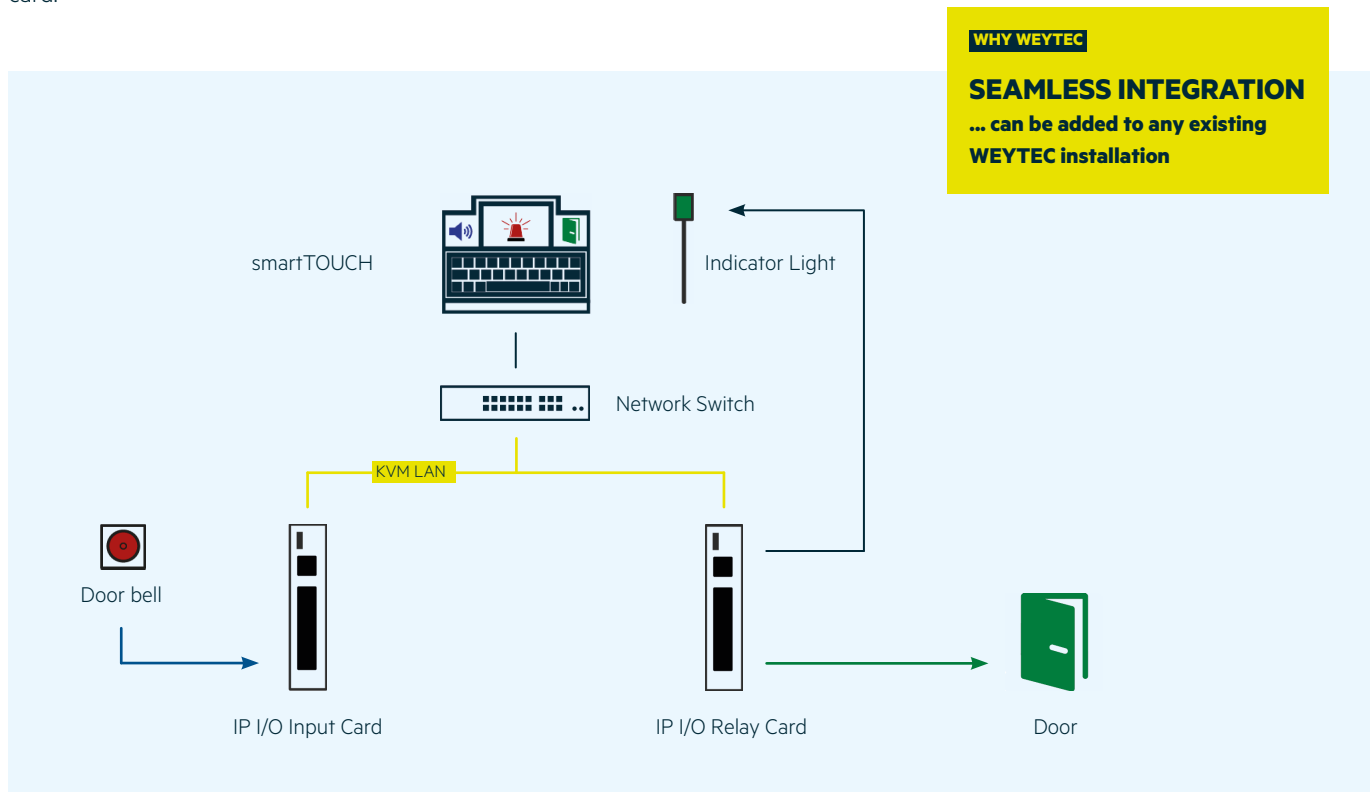
WHY WEYTEC

EVENT INTEGRATION




... visual and acoustic alarms, and interaction with devices in the KVM system

Application example: IP I/O Cards in combination with smartTOUCH consoles

In the example below, a doorbell button connected to the input card triggers the ringing of an acoustic and a visual doorbell on the smartTOUCH keyboard as well as the illumination of an indicator light switched on via the relay card. Pushing “confirm” on the smartTOUCH display or on a dedicated door button on the smartTOUCH keypad activates the door opener via the relay card.



Available products

	IP I/O Input Card Product No. 22340	IP I/O Relay Card Product No. 22341	IP I/O RS232 Card Product No. 22342
			
Interfaces	4x Optocoupler Max 48 Volt DC	4x Relay Max 48Volt DC / 2 Ampere	Serial - 4x RS232 RJ12 female
Ethernet (SFP)	100 Mbit via copper		
Mounting	Chassis and Boxes		