



- Full connectivity to internet email
- International long distance email fax and Voice communication
- No phone lines, non satellite, non cellular
- Enhanced message transfer security
- Free to air

The Barrett 2020 system is ideal for the provision of full and secure email and data transfer within organisations with remote-sited operations with no existing communications infrastructure.

The 2020 provides a simple automatic interface for speech, data transfer and email among all stations in the HF network with full connectivity to internet email via an HF gateway station.

After the initial capital equipment cost, which is comparable or less than current satellite systems, there are no ongoing time charge costs for data transfer within the network.

The Barrett 2020 has been designed specifically for simple installation and ease of use. For the system administrator, a variety of automatic linking options and a link scheduler, fully interoperable with FED STD ALE and CCIR Selective Calling protocols, are available to provide a comprehensive and automated networking solution.

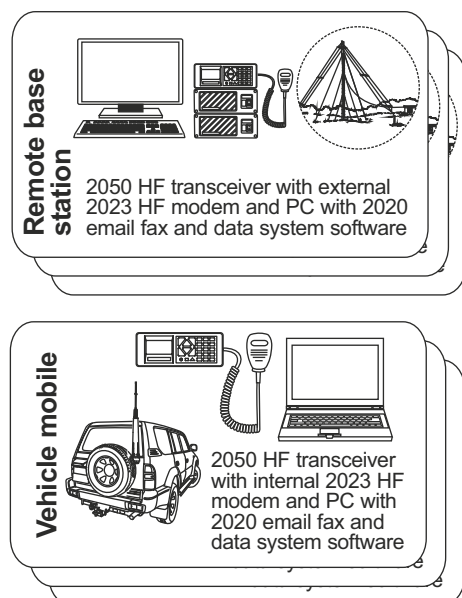
To the end user the 2020 system is transparent; emails are sent and received via the users own and familiar mail client software such as MS Outlook or any other common email program.

On air link protection is provided through user configurable DES Data Encryption with enhanced link security, ensuring secure communications between like coded stations.

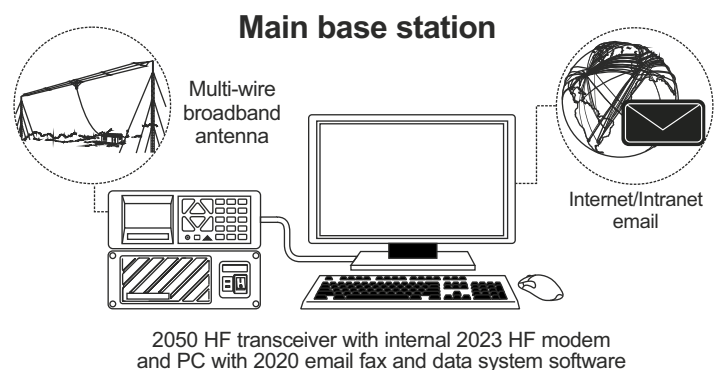
The Barrett 2020 email system uses the advanced Clover 2000 and 2500 modems, employing the latest Digital Signal Processing (DSP) techniques which are specifically designed for HF operation. Modulation formats vary from simple robust two phase to multi-level differential phase four level amplitude modulation modes which combined with sophisticated compression algorithms within the Barrett 2020 operating software produce compressed on-air data rates in excess of 14400 bps*.

The 2023 HF modem is available as an internal fit option for the Barrett 2050 HF Transceiver or externally in a separate modem enclosure. The internal modem is an ideal option where base station space is limited or in manpack or mobile configuration.

The Barrett 2020 has easy to use windows based software that runs on any personal computer platform with Microsoft Windows Win7 and Win8 operating system and interfaces seamlessly with common STMP/POP email clients such as Microsoft Outlook..



Typical 2020 HF email fax and data system network example



General specifications

Barrett 2020 HF data modem

Data protocol	Clover 2500 - An adaptive High Speed Selective ARQ repeat modulation for 100% error free data transmission
Data transfer rate	In excess of 14400 bps* error corrected, compressed (2020 only) Based on average to good link quality and file compressibility
Modulation modes	BPSM 2 phase, 625 bps QPSM 4 phase, 1250 bps 8PSM 8 phase, 1875 bps 8P2A 8 phase, 2 amplitude, 2500 bps 16P4A 16 phase, 4 amplitude, 3750 bps
CCIR emission	2k0H J2 DEN or 2k0H BEN
Required bandwidth	2000 (at 6 dB)
Min S/N for data transfer	-3 dB
PC/transceiver interface	RS232 data rate 9600 Bd (up to 57,600 bps max) 400 mA standby
Current consumption	400 mA standby
Operating temperature	-15°C to +55°C (-40°C to +60°C storage)

*Specified data transmission speed is subject to link quality and file compression rate

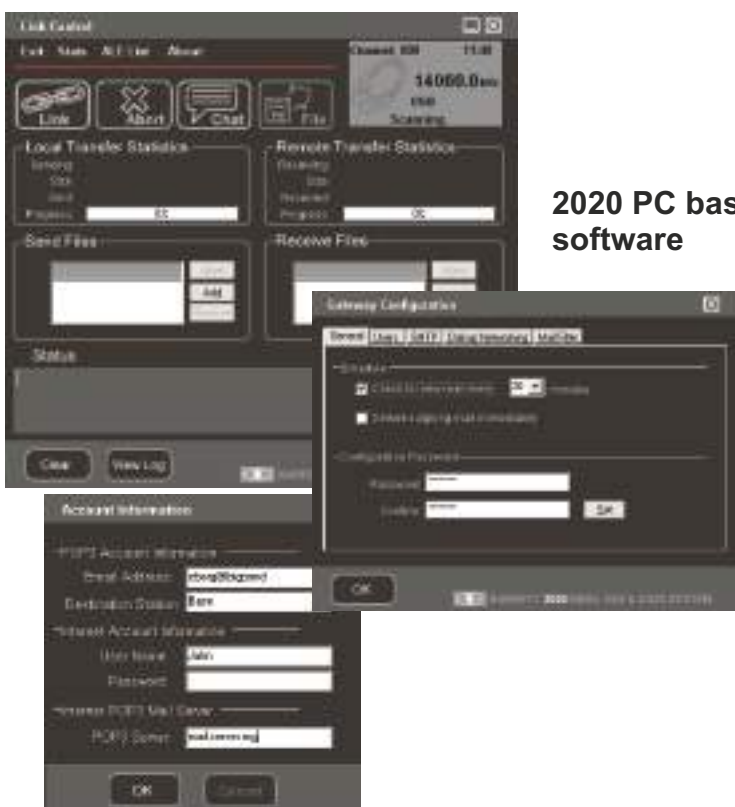
Specifications are typical. Equipment descriptions and specifications are subject to change without notice or obligation.



**2023 Clover 2000
HF Data modem PCB
for internal fitting**

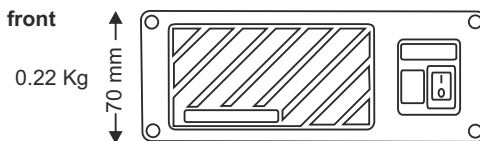


**2023 HF Modem
internal fit &
notebook setup**

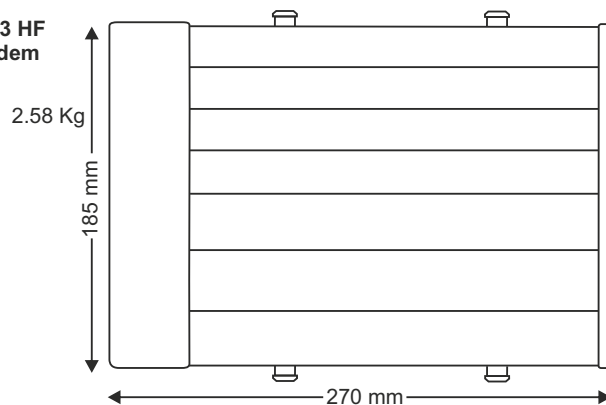


**2020 PC based
software**

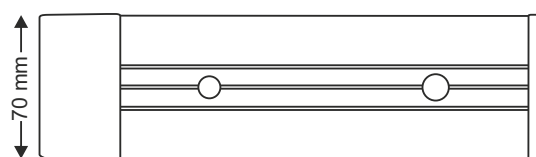
2023 HF modem front



**2023 HF
modem
top**



**2023 HF
modem
side**



BCB20201/20

Head Office:
 Barrett Communications Pty Ltd
 47 Discovery Drive, Bibra Lake,
 WA, 6163 AUSTRALIA
 Tel: +61 8 9434 1700
 Fax: +61 8 9418 6757
 Email: information@barrettcommunications.com.au

ISO 9001
 BUREAU VERITAS
 Certification



www.barrettcommunications.com.au