



- 100% duty cycle
- International AC supply compatibility
- Rack mountable
- No break battery backup

The Barrett 2022 is a 13.8 VDC regulated, 21 Amp power supply capable of operating on AC input voltages from 88 VAC to 264 VAC without input voltage switching and is designed to power the Barrett 2000 series of HF transceivers and accessories.

The 2022 has connectors to provide power for one 2000 series transceiver plus one 2000 series accessory such as a modem. The 2022 has a battery standby system comprising a charging circuit with a true automatic no-break changeover, in case of mains power supply failure. This feature eliminates the problems of data modems re-setting during mains failures and requiring re-initialisation. When mains is present the power supply charges the battery at a maximum rate of 3 Amps. When the battery is fully charged the rate is reduced to a trickle charge to prevent over charging.

The 2022 power supply incorporates loudspeakers for the 2000 series transceiver when used in a base station configuration. The loudspeaker is automatically connected to the transceiver via the power connector. The power supply is provided with an internal fan allowing operation at a 100% duty cycle for data applications. The 2022 power supply is supplied with four IEC cord sets that will suit most mains power outlets used throughout the world.

Barrett 2022 Power supply front and rear panels

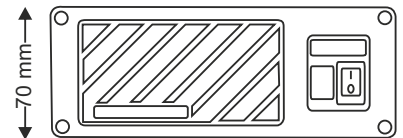


General specifications

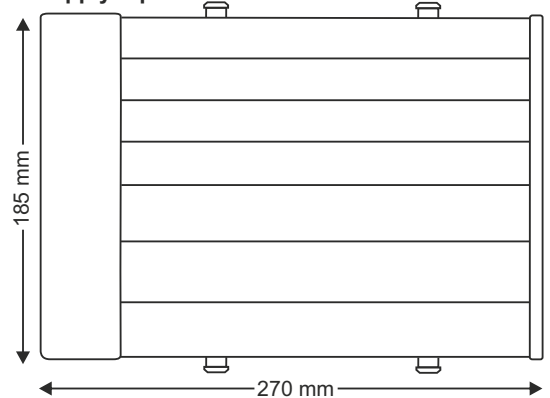
Equipment	Barrett 2022 Mains power supply with no break battery backup charge controller and base station loudspeaker
Output voltage	13.8 VDC
Output current	21 Amps continuous
Input voltage	88 to 264 VAC @ 50 to 60 Hz auto-ranging
Regulation	Less than 1% change at full load
Ripple and noise	Less than 150 mV RMS at full load
Overload protection	105% to 135% hiccup mode, auto recovery
Operating temperature	-10°C to +50°C
EMC standards	EN55022 class B, EN 61000-3-2,3 EN 61000-4-2, 2, 3, 4, 5, 6, 7, 8, 11 EN50204
Charger output	13.6 VDC, 3 Amps maximum
Controls	Mains on/off switch, LED condition displays
Speaker impedance	8 ohm
Speaker power	5 W
Connectors DC	2 x DB 15 - 7W2 female for connection to Barrett 2000 series transceivers and accessories 1 x DB 15 - 7W2 male for connection to auxiliary battery
Connectors AC	IEC
Mounting	Standard bench mounting or optional 19 rack mounting kit (P/N BCA20007)

Specifications are typical. Equipment descriptions and specifications are subject to change without notice or obligation.

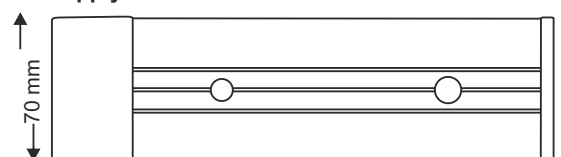
2022 Mains power supply front



2022 Mains power supply top



2022 Mains power supply side



Head Office:
 Barrett Communications Pty Ltd
 47 Discovery Drive, Bibra Lake,
 WA, 6163 AUSTRALIA
 Tel: +61 8 9434 1700
 Fax: +61 8 9418 6757
 Email: information@barrettcommunications.com.au

